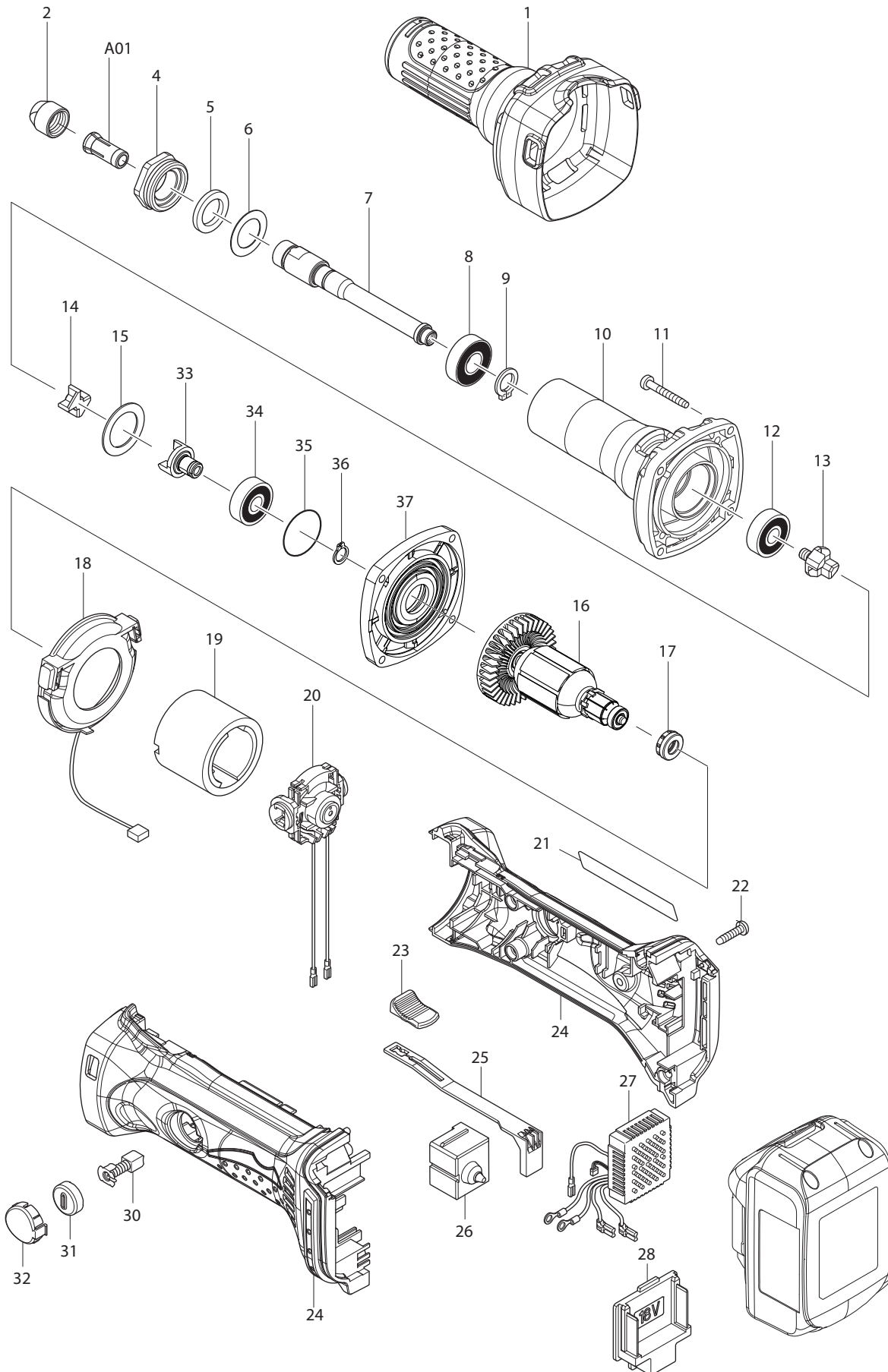




09 - 2011  
LXDG01 / LXDG01Z / LXDG01Z1  
18V LXT DIE GRINDER



Item No.	Type	Sub	Part No.	Description	Q'ty	Unit
1			424380-4	INSULATION COVER	1	PC.
2			763668-0	COLLET NUT	1	PC.
4			317999-5	BEARING RETAINER	1	PC.
5			443124-3	FELT RING 17	1	PC.
6			267329-9	FLAT WASHER 18	1	PC.
7			326010-2	SPINDLE	1	PC.
8			210106-8	BALL BEARING 6001LLB	1	PC.
9			961052-5	RETAINING RING S-12	1	PC.
10			318000-9	BARREL	1	PC.
11			266361-0	TAPPING SCREW 4X30	4	PC.
12			210042-8	BALL BEARING 629LLB	1	PC.
13			324639-8	COUPLING	1	PC.
14			421942-9	SPACER	1	PC.
15			267126-3	FLAT WASHER 22	1	PC.
16			619284-5	ARMATURE	1	PC.
		INC.		Item No. 17		
17			421977-0	RUBBER RING 13	1	PC.
18			631714-6	LED CIRCUIT	1	PC.
19			638627-2	YORK UNIT	1	PC.
20			638448-2	ENDBELL COMPLETE	1	PC.
21			868959-5	LXDG01 NAME PLATE	1	PC.
22			266326-2	TAPPING SCREW 4X18	5	PC.
23			419566-3	SWITCH KNOB	1	PC.
24			188704-5	HOUSING SET	1	SET
25			419519-2	SWITCH LEVER	1	PC.
26			650579-7	SWITCH 1246.3223	1	PC.
27	1		631713-8	CONTROLLER	1	PC.
	2		620072-5	CONTROLLER	1	PC.
28			643838-6	TERMINAL	1	PC.
30			195018-5	CARBON BRUSH CB-430	1	PC.
31			643929-3	BRUSH HOLDER CAP	2	PC.
32			419518-4	HOLDER CAP COVER	2	PC.
33			326009-7	COUPLING	1	PC.
34			210042-8	BALL BEARING 629LLB	1	PC.
35			213445-5	O-RING 26	1	PC.
36			961005-4	RETAINING RING S-9	1	PC.
37			317821-6	GEAR HOUSING COVER	1	PC.
E01			892170-7	CAUTION LABEL	1	PC.
D01			652044-2	+BIND SCREW M3.5X5.0	2	PC.
C01			871652-2	CARTON (For LXDG01Z)	1	PC.
C01A			871669-5	CARTON (For LXDG01)	1	PC.

**ACCESSORIES**

A01			763673-7	COLLET CONE 1/4"	1	PC.
A02			781039-9	WRENCH 13	2	PC.
A03			450128-8	BATTERY COVER	1	PC.
A04	1		DC18RA	FAST CHARGER DC18RA	1	PC.
	2		DC18RC	FAST CHARGER DC18RC	1	PC.
			DC18RAKIT	CHARGER+BATTERY(DC18RA+BL1830)	1	SET
A05			194205-3	18V LI-ION BATTERY BL1830	1	PC.
			194230-4	18V LI-ION BATTERY BL1830 2/PK	1	PK
			194288-3	18V LI-ION BATTERY BL1830 10/PK	1	PK
A06	1		824975-7	PLASTIC CARRYING CASE	1	PC.
		INC.	162315-4	LATCH	2	PC.
A06	2		141482-8	PLASTIC CASE COMPLETE	1	PC.
		INC.	162315-4	LATCH	2	PC.

<b>Item No.</b>	<b>Type</b>	<b>Sub</b>	<b>Part No.</b>	<b>Description</b>	<b>Q'ty</b>	<b>Unit</b>
A07			192985-5	SIDE HANDLE SET	1	SET
A08			741616-9	WHEEL POINT 4-19-60	1	PC.
			741617-7	WHEEL POINT 1-19-60	1	PC.
A09			194649-7	BATTERY PROTECTOR	1	PC.
A10			763672-9	COLLET CONE 1/8"	1	PC.